

# HEATSEEKER



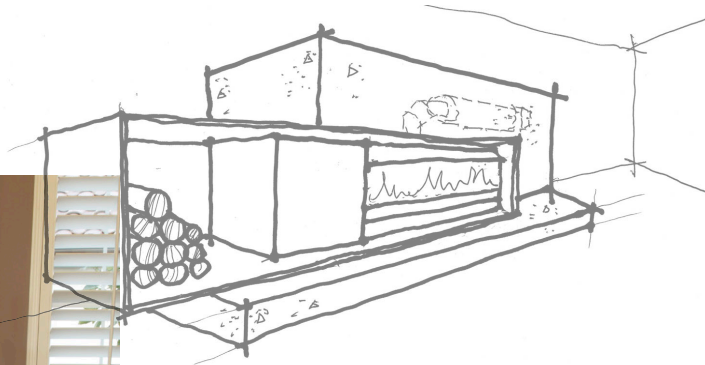


# HEATSEEKER

600 | 700 | 850 | 1000

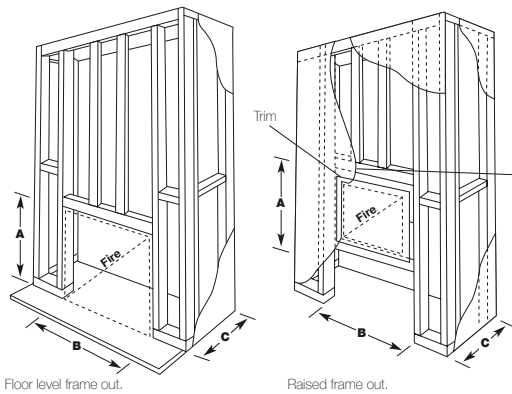
## HEATING ON A GRAND SCALE

Create the warmth and atmosphere of an open fire with the convenience and cleanliness of gas. The Heatseeker delivers optimum radiant and fan assisted convected heat. Offering total design flexibility ranging from old world to traditional or contemporary finishes. The Heatseeker fire is available in four convenient sizes that are ideal for new or existing fireplace applications.



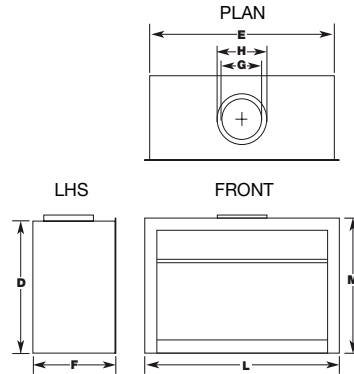
- Natural gas or LPG
- Conventional or Power flue
- Pebbles or Coals and Logs
- New or existing applications
- Old world, traditional or contemporary
- Convected plus radiant heat, heats up to 45m<sup>2</sup>
- Conceived, designed, researched, developed and built in Australia

# HEATSEEKER

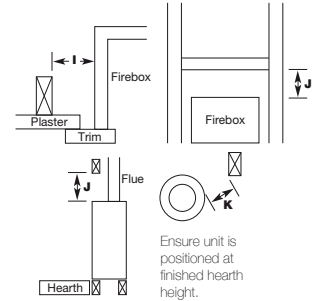


NOTE:  
Install unit and flue prior to plastering.

NOTE:  
Plaster to run beyond studs and behind trim or square edge.



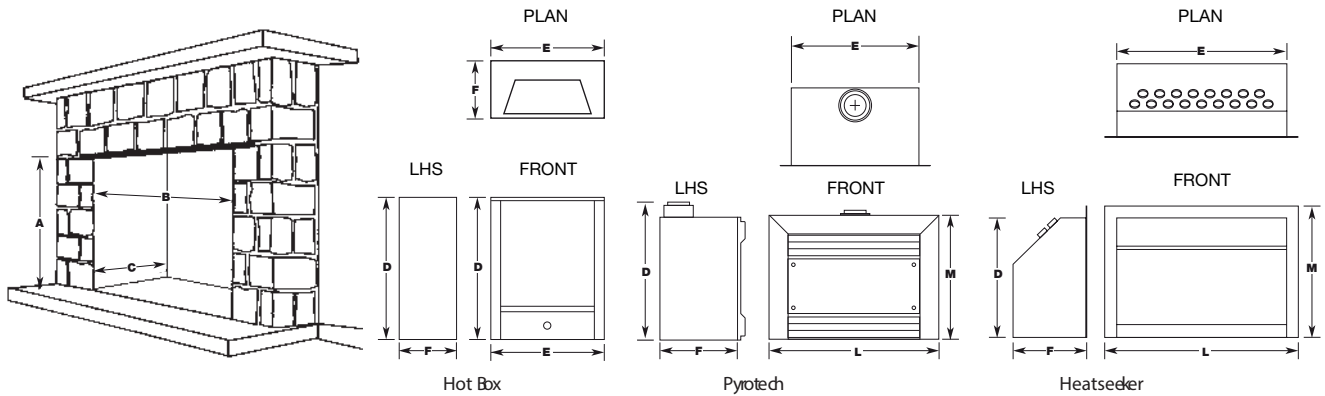
## Clearance to Combustibles



	A	B	C	D	E	F	G	H	I	J	K	L	M	NG Mj/h	LP Mj/h	GPO REQ'D	VENTILATION
600	750	750	450	650	675	415	150	200	25	100	25	740	670	37	31	YES	18000mm <sup>2</sup>
700	750	850	450	650	775	415	150	200	25	100	25	840	670	37	31	YES	18000mm <sup>2</sup>
850	750	1000	450	650	930	415	200	250	25	100	25	990	670	39	36	YES	32000mm <sup>2</sup>
1000	750	1150	450	650	1075	415	200	250	25	100	25	1140	670	39	36	YES	32000mm <sup>2</sup>

Also available in inbuilt configuration for working masonry fireplaces.

Refer to TRIMS section for 4 sided trim dimensions



	A	B	C	D	E	F	L	M	NG Mj/h	LP Mj/h	GPO REQ'D	VENTILATION
HEATSEEKER 600	610	620	380	605	610	370	740	670	37	31	YES	40000mm <sup>2</sup>
HEATSEEKER 700	610	720	380	605	710	370	840	670	37	31	YES	40000mm <sup>2</sup>
HEATSEEKER 850	610	870	380	605	860	370	990	670	39	36	YES	40000mm <sup>2</sup>
HEATSEEKER 1000	610	1020	380	605	1005	370	1140	670	39	36	YES	40000mm <sup>2</sup>

\*needs a cast fascia

Refer to TRIMS section for 4 sided trim dimensions

## WARRANTY

Firebox: 15 Years Components: 2 Years

VISIT [WWW.REALFLAME.COM.AU](http://WWW.REALFLAME.COM.AU) FOR MORE TECHNICAL INFORMATION.

