

# HYBRID



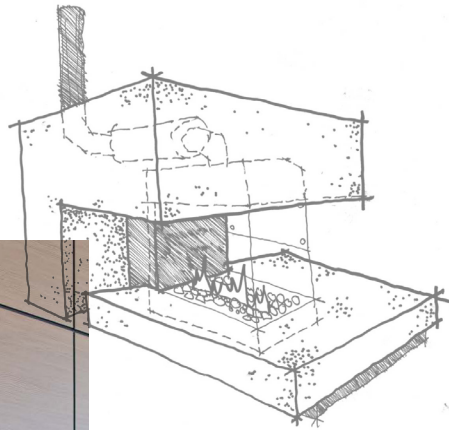


# HYBRID

850 | 1000 | 1500 | 1800 | 3300

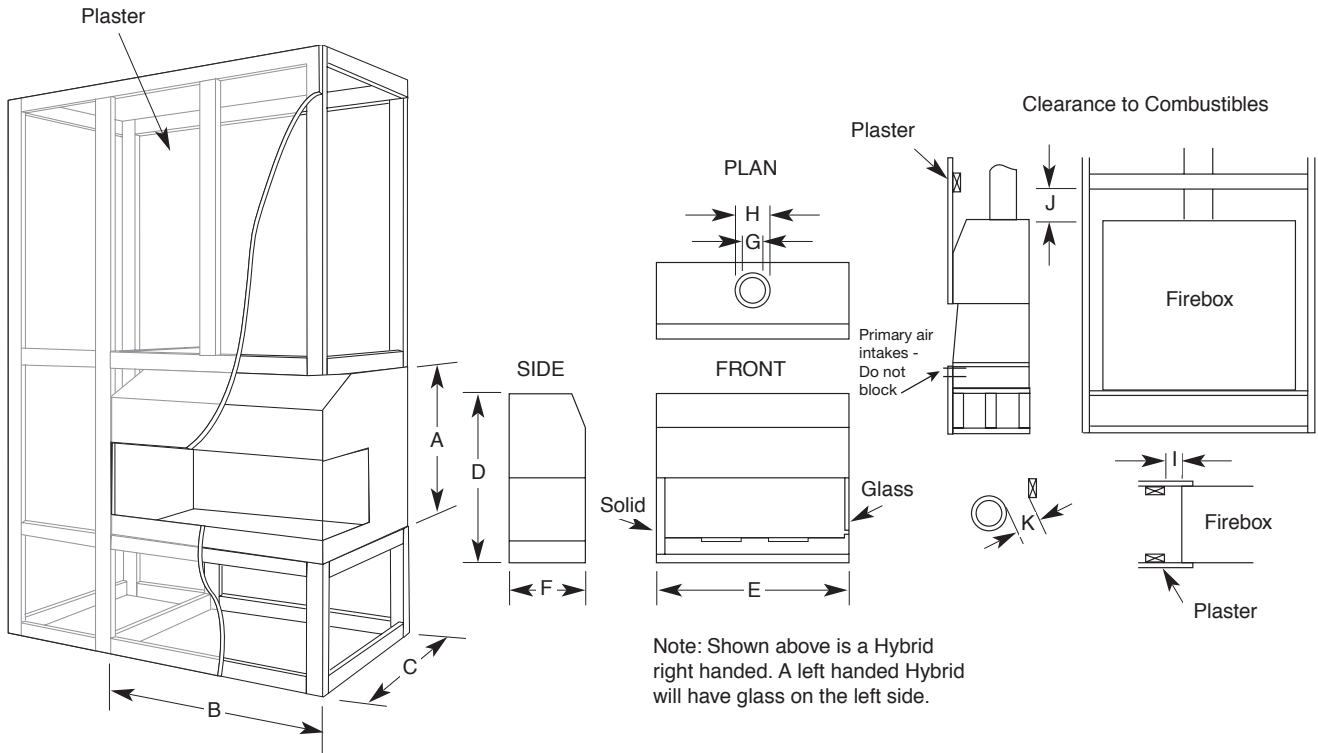
## WHERE FUNCTION FUSES WITH FLAIR

The Hybrid fire is a stunning collaboration of the Pure Vision and Simplicity. It allows the designer to position the fire in corners with the solid side to the wall and glass side open to the room. A glass back can also be added to allow viewing from the room behind the fire creating a fantastic visual between two separate spaces.



- Decorative
- Contemporary
- New Application
- Electronic ignition
- Glass back option
- Natural gas or LPG
- Pebble or Coals and Logs
- Conventional or Power Flue
- Conceived, designed, researched, developed and built in Australia

# HYBRID



	A	B	C	D	E	F	G	H	I	J	K
850	1020	1000	475	920	950	450	200	250	25	100	25
1000	1020	1150	475	920	1100	450	250	300	25	100	25
1500	1100	1650	475	1000	1600	450	300	350	25	100	25
1800	1240	1950	475	1140	1900	450	300	350	25	100	25
3300	1240	3450	475	1140	3400	450	300	350	25	100	25

## WARRANTY

Firebox: 15 Years Components: 2 Years

VISIT [WWW.REALFLAME.COM.AU](http://WWW.REALFLAME.COM.AU) FOR MORE TECHNICAL INFORMATION.

