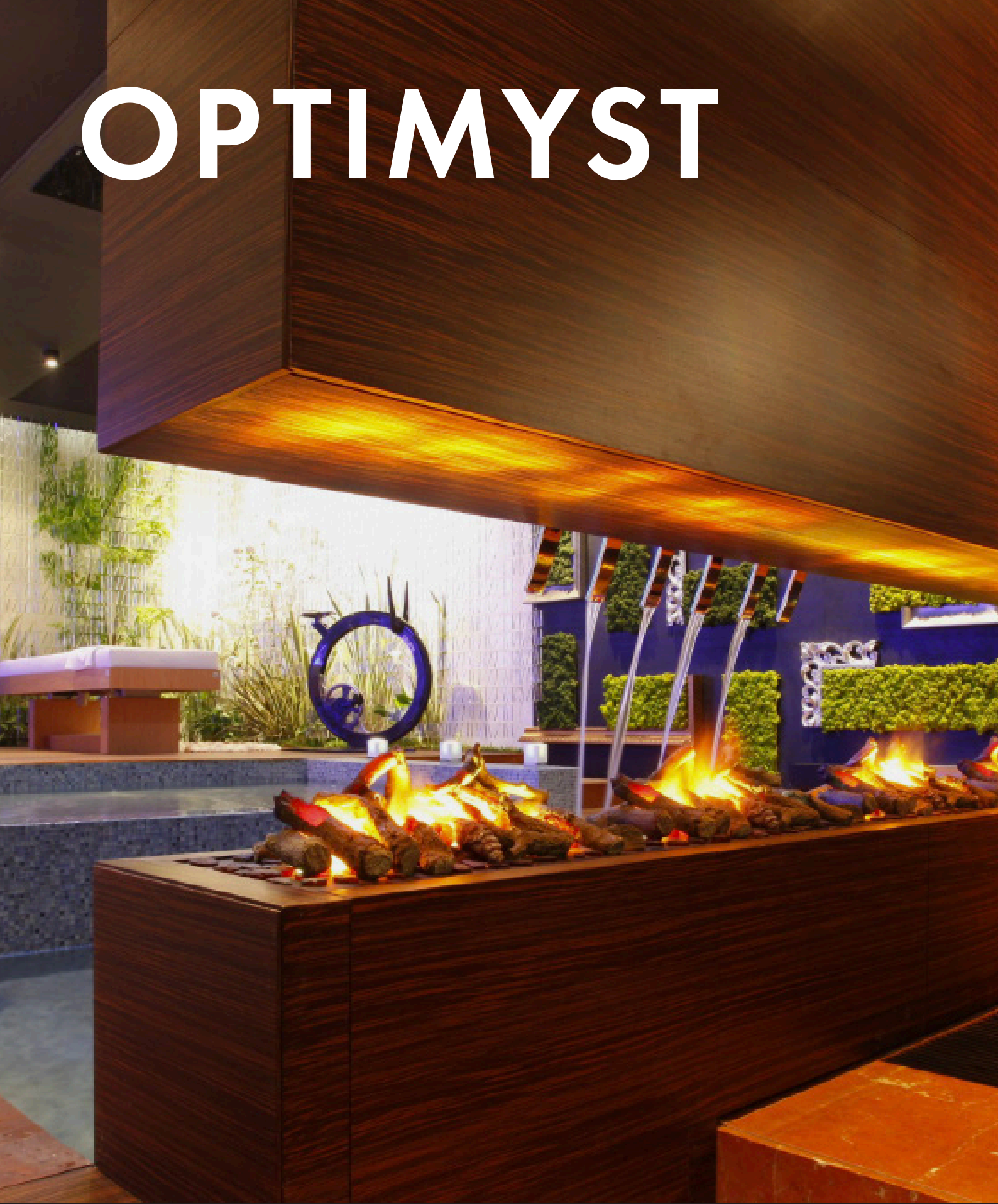


# OPTIMYST





# OPTIMYST

CAS500 | CAS1000

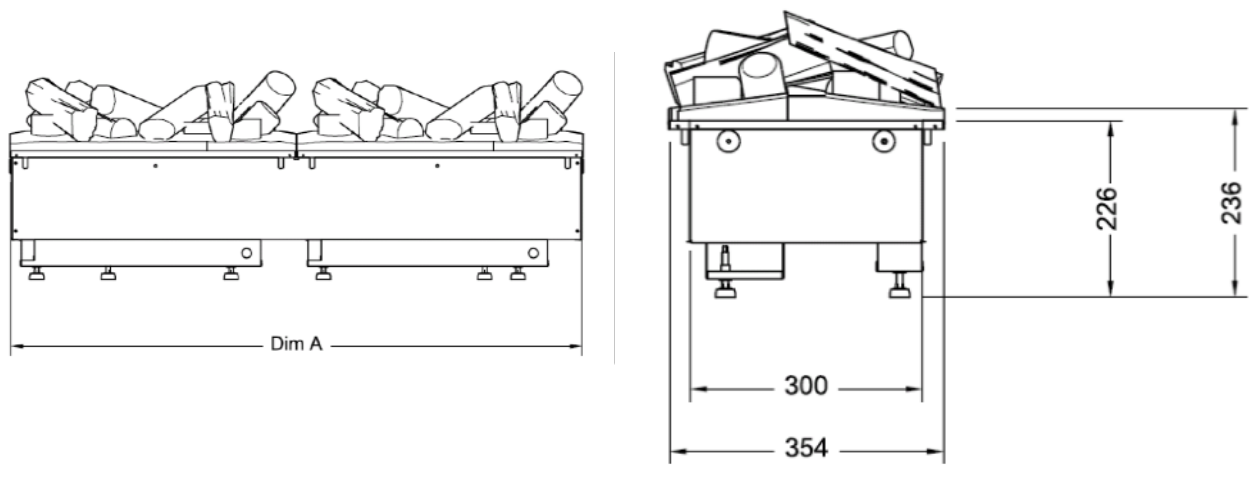
## REVOLUTIONARY ELECTRIC FIRE.

Our Optimyst CAS500 and CAS1000 are the perfect solution for applications where gas or wood are not viable. Available in two sizes, the cassette design allows the home owner, designer or architect to design an impressive centrepiece that is deceptively real and will captivate you from the moment you see it. The fully 3 dimensional effect uses established ultrasonic technology adapted from commercial applications to create an ultra fine water mist that is illuminated to create the flame and smoke effect. Whether in the home, apartment or commercial environment the Optimyst will create the perfect centrepiece for your project.



- Easy to install
- No flue required
- Easy fill water tanks
- Can be permanently plumbed
- New or existing applications
- Full remote control functions
- Multiple media options
- Can be daisy chained to achieve longer designs
- Ultrasonic technology

# OPTIMYST



	A	B	C	D	E	Input	Output	GPO	Ventilation
						Watts	Watts	Required	
CAS500	508	354	226	300	236	220	N/A	10 amp	NOT REQUIRED
CAS1000	1017	354	226	300	236	440	N/A	10 amp	NOT REQUIRED

All measurements in millimetres (mm)

**WARRANTY**  
2 Year limited warranty

VISIT [WWW.REALFLAME.CO.NZ](http://WWW.REALFLAME.CO.NZ) FOR MORE TECHNICAL INFORMATION.

