

VIVENTE



VIVENTE

1500 | 1000 | 750

Vivente is the latest in electric flame innovation from Real Flame. With a choice of 750, 1000, and 1500mm widths, the product is sized to suit a range of applications from small apartments to grand entertaining areas. The clever design enables the choice of creating a 1, 2, or 3-sided configuration when the product is being installed, while anti-reflective glass avoids unwanted reflections impacting upon the stunning flame effect. It is this Revillusion flame effect that truly sets Vivente apart – by removing the central mirror seen in traditional electric fires, Revillusion increases the visible depth of the firebox and allows the firebox lining to be changed to suit your interior design theme. There are 4 finish options included as standard – ribbed, tiled, stacked stone, and plain black, you can even customise your own panel to suit. Vivente's unrivalled features include SmartSense motion sensing technology, heating, and a multitude of flame colour and sensory options such as the crackle of a real fire. These settings can be controlled either with the on-board controls, the remote control, or the Flame Connect App (available for Android and iOS). If you think you know electric flame, think again - welcome to the future.



4 Viewing configurations included as standard.



8 ambient lighting themes built-in, with the option to fully customise your own theme through the app.



Revillusion flame technology doubles the visual depth of the firebox.



Colour-changing flame effects.



Flame Connect App available for your smartphone.



4 back panel options to suit your décor.



2 fuel bed options – traditional ceramic log set and clear crystals.



ComfortSaver - energy efficient 1.5kW heater, offering up to 11% saving.



Anti-reflective glass.



SmartSense technology to detect room movement.



Real flame crackling sound effect.



7-day programmable timer.

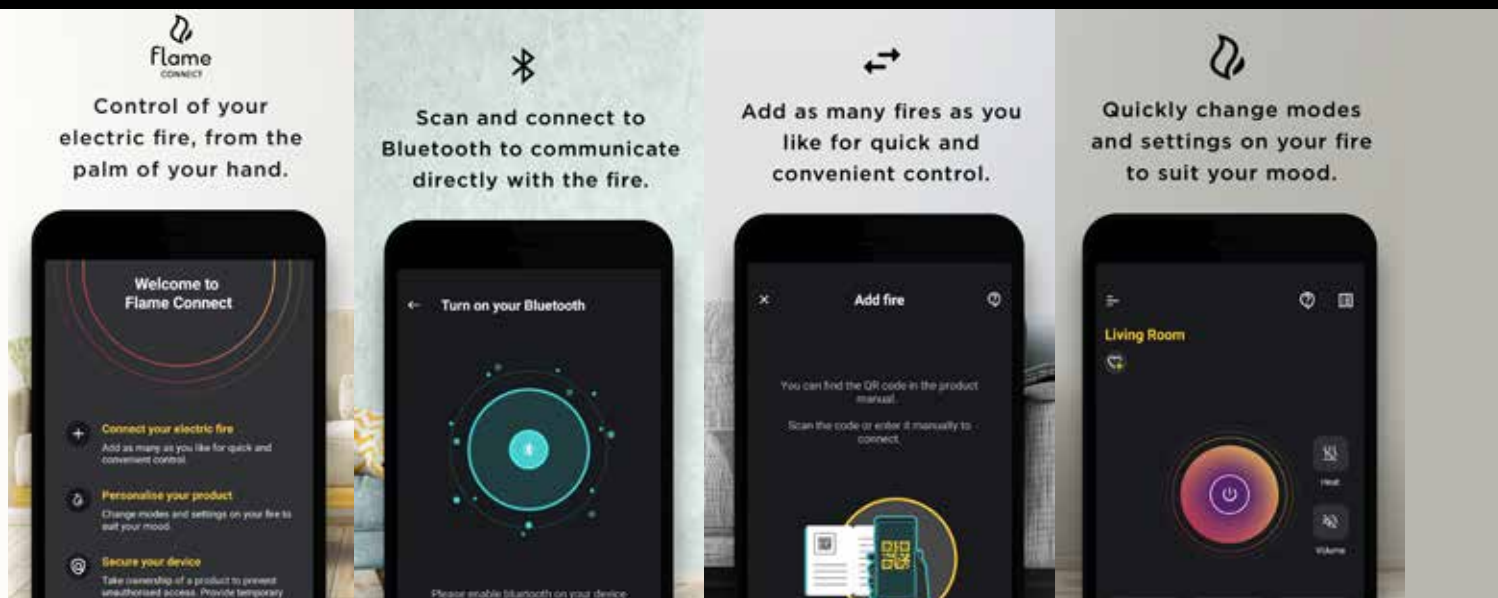
FLAME CONNECT APP

VIVENTE

Flame Connect is a new app that places full control of your electric fire into a beautiful, easy and convenient interface, all from the palm of your hand. The app is available on Android and iOS.

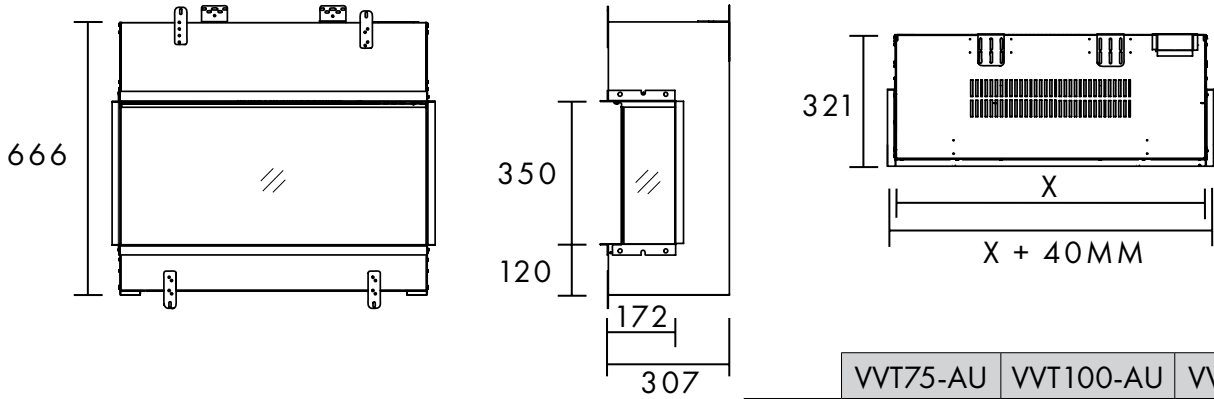
Enjoy the latest flame technology and ultra-realistic flame effects to create a unique and stunning focal point within any room.

- Simply scan and connect to Bluetooth to communicate directly with your fire.
- Quickly change modes and settings on your fire to suit your mood.
- Set product schedules to automate your fire's on/off times.
- Change flame effect settings and LED colours.
- Prevent unauthorised product access by linking ownership of your fire with your account.
- Enable guest mode for temporary access to other Flame Connect trusted users.
- Support for multiple languages and a choice of Fahrenheit and Celsius readout.



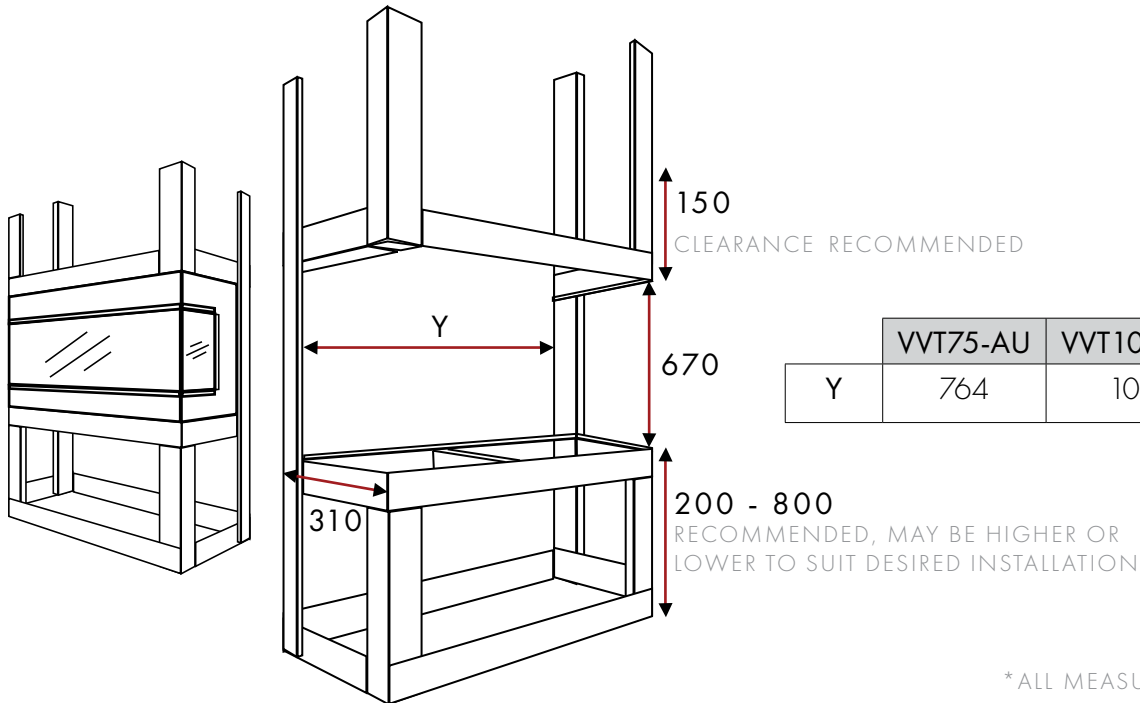
VIVENTE

UNIT DIMENSIONS



	VVT75-AU	VVT100-AU	VVT150-AU
X	753	1003	1503

MINIMUM FRAMEOUT DIMENSIONS



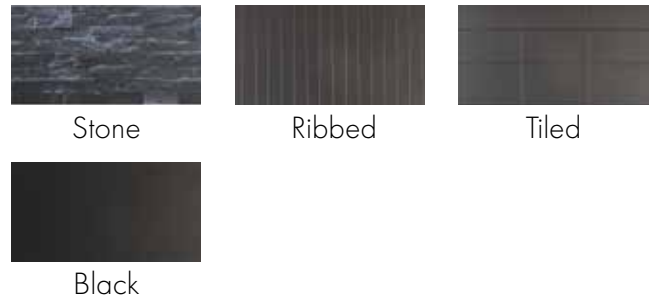
	VVT75-AU	VVT100-AU	VVT150-AU
Y	764	1014	1514

*ALL MEASUREMENTS ARE IN MM

MULTIPLE FUEL BED THEMES



BACK PANEL OPTIONS



WARRANTY

2 Year limited warranty

VISIT WWW.REALFLAME.CO.NZ FOR MORE INFORMATION.
REFER TO IOM FOR MOST UP TO DATE TECHNICAL INFORMATION.

Version: 02 03 2021

