


ELECTRIC

IGNITE XL BOLD | VIVENTE | EVO

IGNITE EVOLVE | VISTA | OPTIMYST



REAL  FLAME



It is easy to understand the allure of a fireplace.

Providing warmth, ambience, and a mood of relaxation and calm, a fireplace can raise the character of any residential or commercial space. They can improve the look and feel of any room as a decorative feature or provide a supplemental heating source that helps reduce energy costs. If chosen with care, a fireplace can become the centrepiece of a memorable interior design, and add significant value to a property.

Versatile Visuals to suits all spaces

However, installing a traditional gas or wood fireplace is sometimes not achievable due to lack of access to fuel, cost of installation, or other factors. With their realistic flame effects and advanced features, Real Flame's electric fireplaces are making the ambience of flame accessible to all consumers – homeowners, renters, and commercial clients alike.


Effective and efficient heating

Real Flame's electric fireplaces are market leading in terms of visual appearance, design, and heating technology; resulting in a lower cost, green, functional, and stylish option. All Real Flame electric fireplaces can be operated without heat, providing a relaxing flame effect year-round for minimal cost.

Real Flame's patented technology

The patented Revillusion®, Opti-V, and Optimyst flame effects are unique in the market. From linear, to portrait, to double-sided configurations, the Real Flame range offers endless possibilities to create a stunning feature in your space.





Introducing the bolder version of the popular XLF range from Real Flame. Ignite XL BOLD electric fireplace is available in 1200, 1800 and 2500mm widths and can be configured as a 1 sided, 2 sided or 3-sided fireplace display. From a modest sized apartment to an imposing living space the BOLD has a range of style options to suit each type of design and application. The fireplace can be daisy chained for a much larger commercial application.

The unrivalled multiframe fire effect provides an elegant flame display with different ambient light settings to elevate the ambience of your space. Ambient light settings are fully customisable on the Flame connect app. The XL Bold comes standard with logs and river rocks media to bring all elements of an actual fireplace into a sustainable alternative. An optional Australian woodland inspired, Alpine Forest media is provided to transform the appearance of the fireplace.

The fireplace has a large viewing window to ensure you relish every bit of that mesmerising flame pattern. The fireplace is equipped to provide supplemental heating to your room with a click of a button. Heating temperatures and modes can be controlled to switch from heat boost mode to an eco-heating mode. All these multitude of settings can be controlled either with the on-board hidden touch control, the remote control, or the Flame Connect App (available for Android and iOS).

IGNITE XL BOLD

1200 | 1800 | 2500



4 Viewing configurations included as standard.



8 ambient lighting themes built-in, with the option to fully customise your own theme through the app.



Adjustable flame speed



Multi colour flame effects



Flame Connect App available for your smartphone.



Choose from 3 different size options



2 fuel bed options – Logs and river rocks as standard and optional Alpine forest media.



ComfortSaver - energy efficient 2kW heater, offering up to 11% saving.



Ambient light sensor for auto brightness control



8-hour programmable timer.



IGNITE XL BOLD

MEDIA BED ACCESSORIES

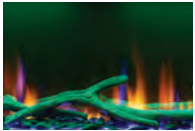


Driftwood & River Rock



Alpine Forest

MULTIPLE FUEL BED MOODS & THEMES



Green



Blue



Purple



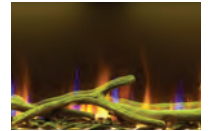
Pink



Red



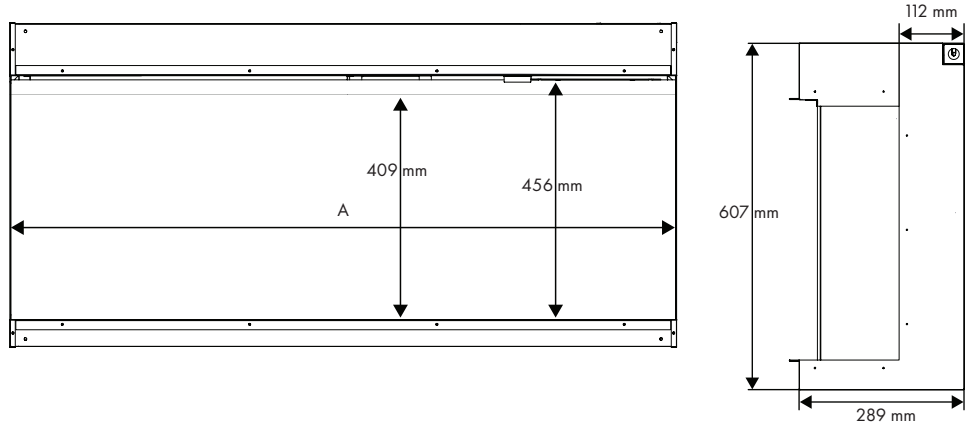
Orange



Yellow

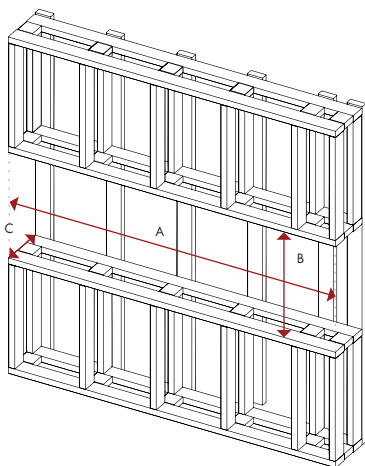
UNIT DIMENSIONS

MODEL	A
BXLF1200-AU	1246
BXLF1800-AU	1883
BXLF2500-AU	2521

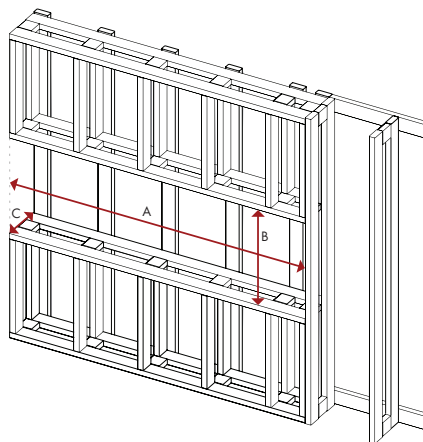


MINIMUM FRAMEOUT DIMENSIONS

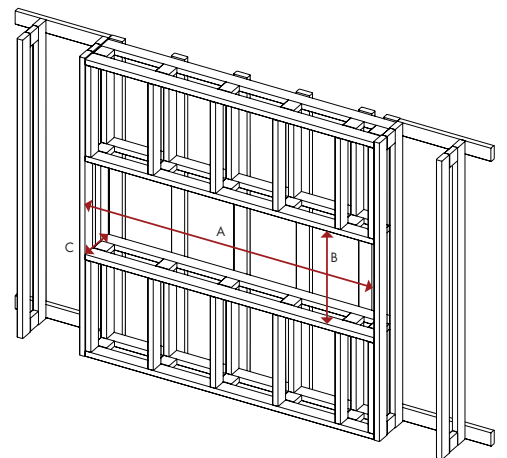
Bay Installation



Left / Right Installation



Front Installation



MODEL	A	B	C
BXLF1200-AU	1257	616	295

MODEL	A	B	C
BXLF1800-AU	1895	616	295

MODEL	A	B	C
BXLF2500-AU	2534	616	295

VISIT WWW.REALFLAME.COM.AU FOR MORE INFORMATION.
REFER TO THE MANUAL FOR MOST UP TO DATE TECHNICAL INFORMATION.

VIVENTE

750 | 1000 | 1500

The clever design enables the choice of creating a 1, 2, or 3-sided configuration when the product is being installed, while anti-reflective glass avoids unwanted reflections impacting upon the stunning flame effect. It is this Revillusion flame effect that truly sets Vivente apart – by removing the central mirror seen in traditional electric fires, Revillusion increases the visible depth of the firebox and allows the firebox lining to be changed to suit your interior design theme.



VIVENTE



4 Viewing configurations included as standard



Patented Revillusion® technology doubles the visual depth of the firebox



Flame Connect App available for your smartphone



7-day programmable timer



2 fuel bed options – traditional ceramic log set and clear crystals



Anti-reflective glass



8 ambient lighting themes built-in, with the option to fully customise your own theme through the app



Colour-changing flame effects



4 back panel options to suit your décor



ComfortSaver - energy efficient 1.5kW heater, offering up to 11% saving



Real flame crackling sound effect



SmartSense technology to detect room movement

MULTIPLE FUEL BED THEMES



Green



Blue



Light Blue



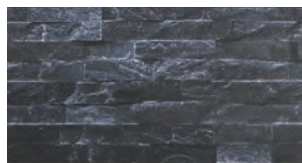
Purple



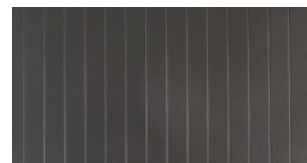
Red

and many more

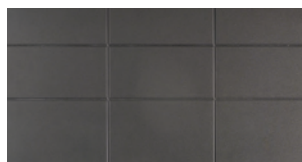
BACK PANEL OPTIONS



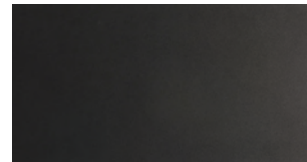
Stone



Ribbed



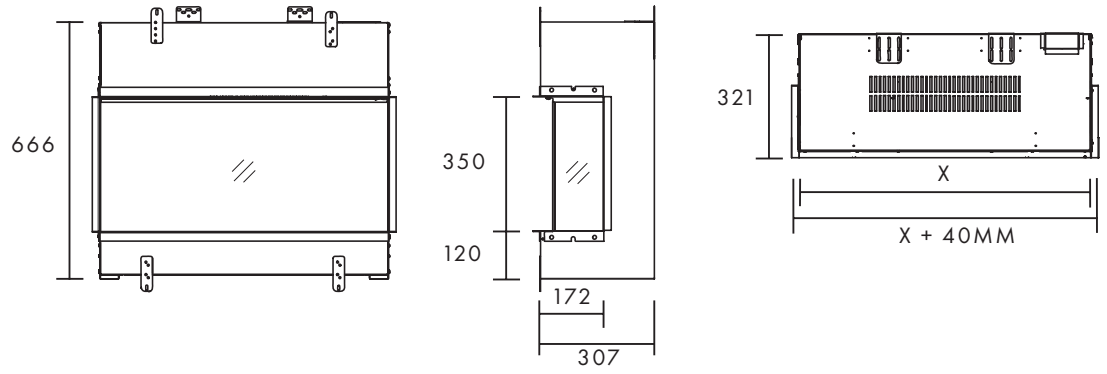
Tiled



Black

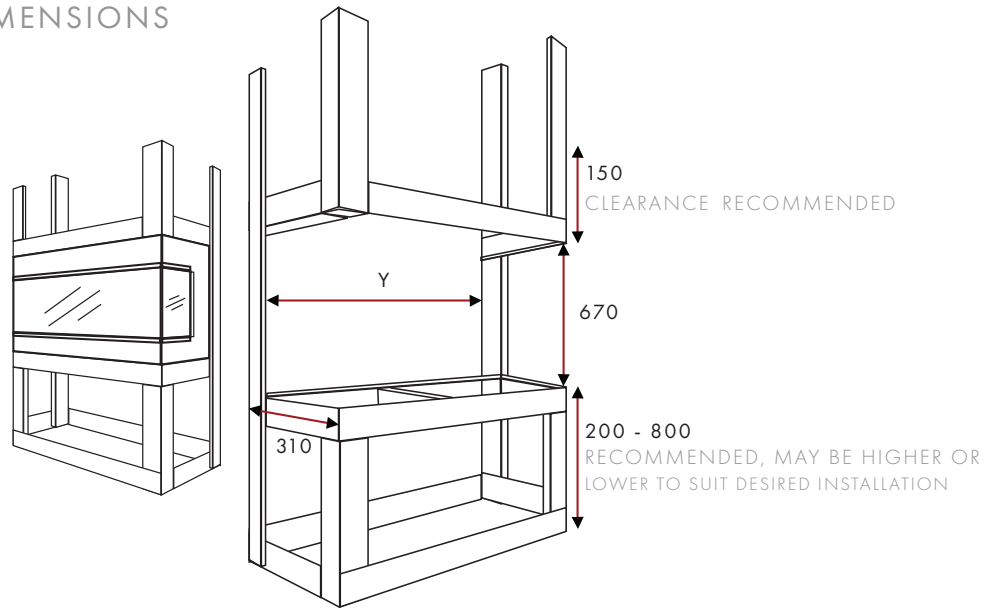
UNIT DIMENSIONS

MODEL	X
VVT75-AU	753
VVT100-AU	1003
VVT150-AU	1503



MINIMUM FRAMEOUT DIMENSIONS

MODEL	Y
VVT75-AU	764
VVT100-AU	1014
VVT150-AU	1514



EVO

750 | 900 | 900P

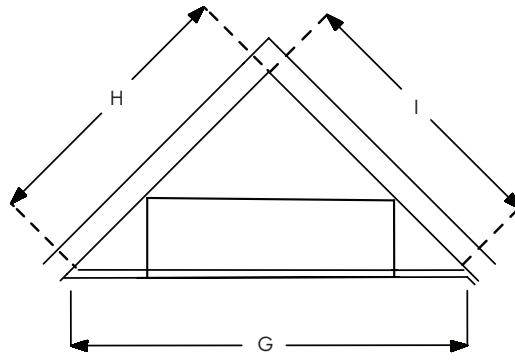
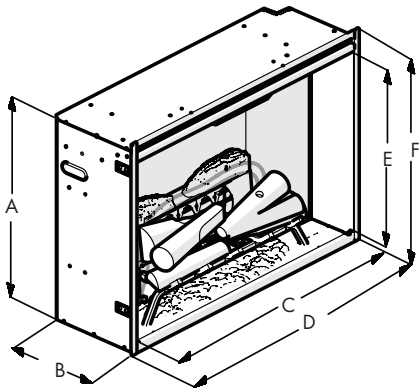
The EVO range offers endless possibilities for creating a stunning feature in your space. With three versatile sizes, 750mm, 900mm, and 900mm Portrait, you can select the perfect fit to complement your design vision. A variety of light setting options allows you to elevate the ambiance and transform your room with ease.

At the heart of the EVO range is patented Revillusion® flame technology, designed to double the visual depth of the firebox for an impressively lifelike display. You can enjoy the flame effect with or without heat, making it ideal for year-round comfort and relaxation. When warmth is desired, the thermostatically controlled 2kW supplemental heater provides a cozy boost to your space.

The fireplace features ceramic Nordic logs and coals arranged over a glowing ember bed to produce a realistic and inviting electric flame effect. Additional lighting options let you set the perfect mood with a soft firebox glow. For a more refined and integrated look, optional accessories are available to complete the finish of your fireplace.



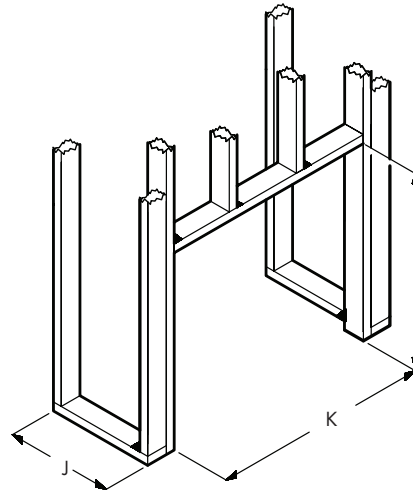
UNIT DIMENSIONS



MODEL	A	B	C	D	E	F	G	H	I
EVO750-AU	654	306	746	792	578	674	1378	978	978
EVO900-AU	654	306	898	944	578	674	1524	1080	1080
EVO900P-AU	768	306	898	944	691	788	1524	1080	1080

MINIMUM FRAMEOUT DIMENSIONS

MODEL	J	K	L
EVO750-AU	318	778	665
EVO900-AU	318	930	665
EVO900P-AU	318	930	778



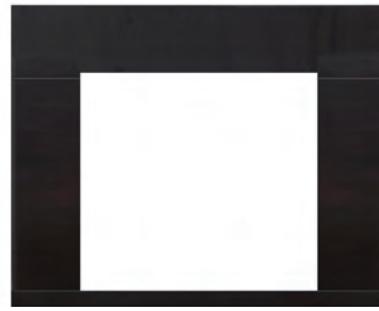
OPTIONAL ACCESSORIES



Glass
 EVOGLASS900P-AU
 EVOGLASS900-AU
 EVOGLASS750-AU



Door
 EVODOOR900P-AU
 EVODOOR900-AU
 EVODOOR750-AU



Trim
 EVO750TRIM-AU
 *Only available for EVO750-AU

The electric fire landscape is evolving, and with that so has the Real Flame Ignite range. The Ignite Evolve fireplace is a new and upgraded version of the much loved Ignite XL, the new built-in electric fire seamlessly blends into both modern and traditional spaces to elevate comfort and aesthetic appeal. Available in various sizes; 1200, 1500, 1800 and 2500 there is a model to suit all applications.

Enjoy comfort without compromise with the stunning flames and media working together to create a beautiful authentic fire experience. The Ignite Evolve comes with the patented ComfortSaver technology which reduces energy usage while keeping the room temperature stable and cozy. The fire effect provides an elegant flame display with different ambient light settings to elevate the ambience of your space. Ambient light settings are fully customisable on the Flame connect app. Offering the ultimate in customisable design, you can choose the flame speed and brightness, colour of flames and media bed to create a bespoke centrepiece to your suite your home and mood.

The Flame Connect App (available for Android and iOS) allows for increased options from the remote complete with smart diagnostics for efficient troubleshooting. The app provides endless personalisation features for your fire.



Optiflame technology for a realistic and vibrant flame effect.



Adjustable flame speed with 5 settings to create the perfect atmosphere.



Multi colour flame effects



Ambient light sensor for auto brightness control from day to night.



3 media options; Logs and tumbled glass as standard. Driftwood with river rocks or Oak log set optional.



Choose from 4 different size options, 1200, 1500, 1800 and 2500.



Flame Connect App available for your smartphone.



Integrated smart self diagnostic technology enhancing maintenance feedback.



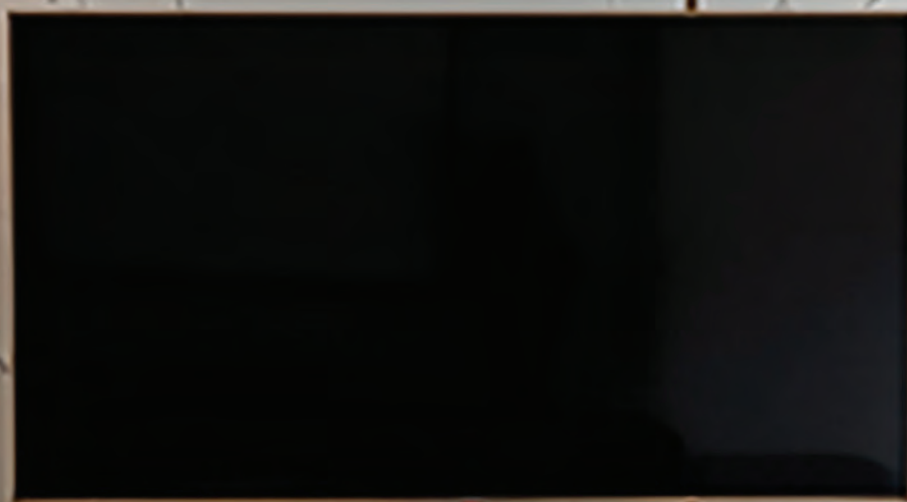
8-hour programmable timer.



ComfortSaver - energy efficient 2kW heater, offering up to 11% saving.

IGNITE EVOLVE

1200 | 1500 | 1800 | 2500



IGNITE EVOLVE

MEDIA BED ACCESSORIES

Log & Tumbled Glass



Driftwood & River Rock



Oak Log



MULTIPLE FUEL BED MOODS & THEMES



Green



Blue



Purple



Red

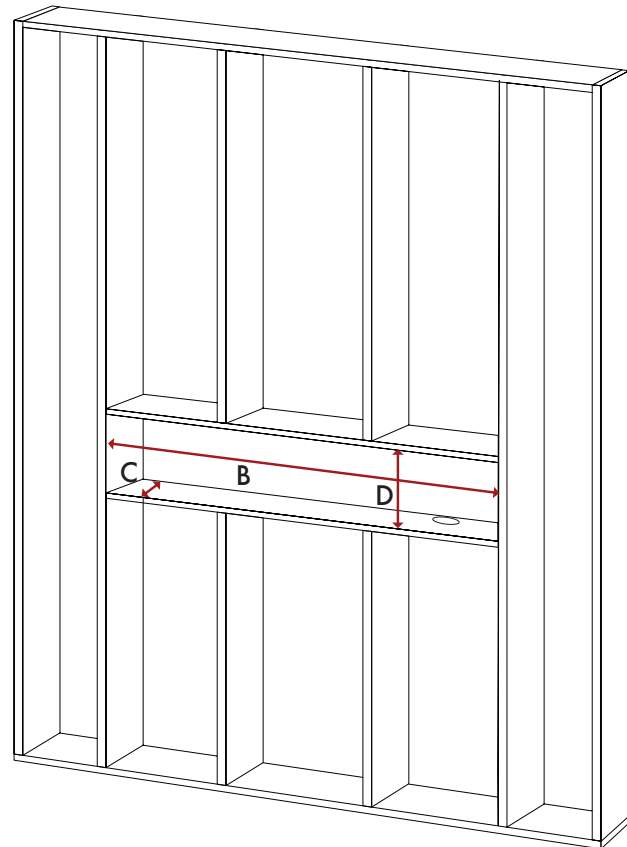


Orange

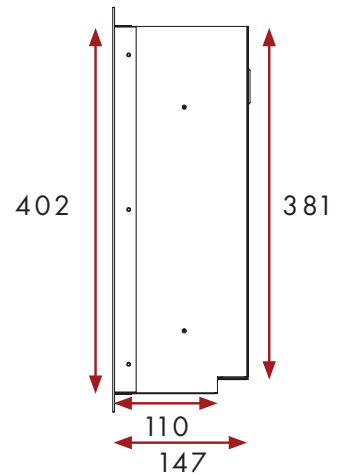
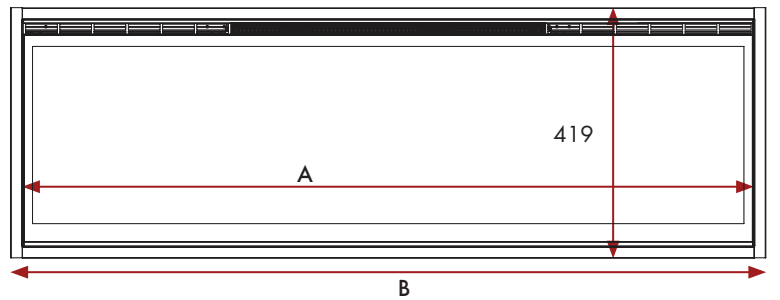


White

MINIMUM FRAMEOUT DIMENSIONS



UNIT DIMENSIONS



	B	C	D
EVO1200	1286	150	406
EVO1500	1540	150	406
EVO1800	1897	150	406
EVO2500	2557	150	406


	EVO1200	EVO1500	EVO1800	EVO2500
A	1278	1532	1887	2548
B	1306	1560	1914	2576

VISIT WWW.REALFLAME.COM.AU FOR MORE INFORMATION.

REFER TO THE MANUAL FOR MOST UP TO DATE TECHNICAL INFORMATION.

VISTA

70 | 1300



The Vista is the perfect blend of rich flame experience in an elegant design. With sparks jumping off glowing Nordic logs and the crackling sound of a wood fire, the Vista gives you a lifelike flickering flame effect. Created with Opti-V technology, choose from a 3-sided or front facing option, both with a stunning 400mm viewing window and with an unparalleled ribbed back finish to enhance the visual depth of the fire.

Coziness meets functionality with the thermostatic heater, providing warmth and comfort at your fingertips. Even when the fire is off, the ceramic logs and aesthetic create a beautiful focal point.

The Vista is the ultimate virtual electric fire and available in 2 sizes; 70 and 130. With 2 installation configurations and plug in the 2kW heating instead of the back panel.

VISTA



Blended 3D technology creating realistic flames



Choose from 2 different size options, 70 and 130.



Patented virtual flame technology



2 Viewing configuration options, 1 and 3 sided.



Control the fire from the comfort of your chair



Fixed log set with glowing LED lights create an illusion of depth.



LED backlight create realistic fire effect and enhances ambience.



Powerful 2kW fan assisted heating with 2 heat settings and adjustable thermostat



Synchronised crackling real fire audio sound effect

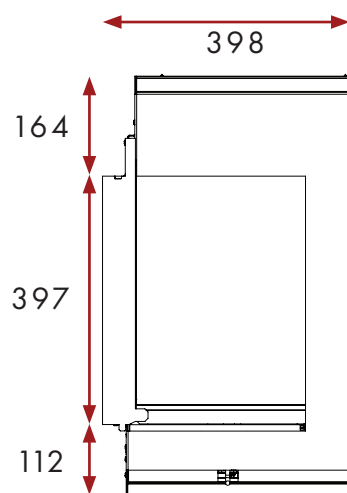
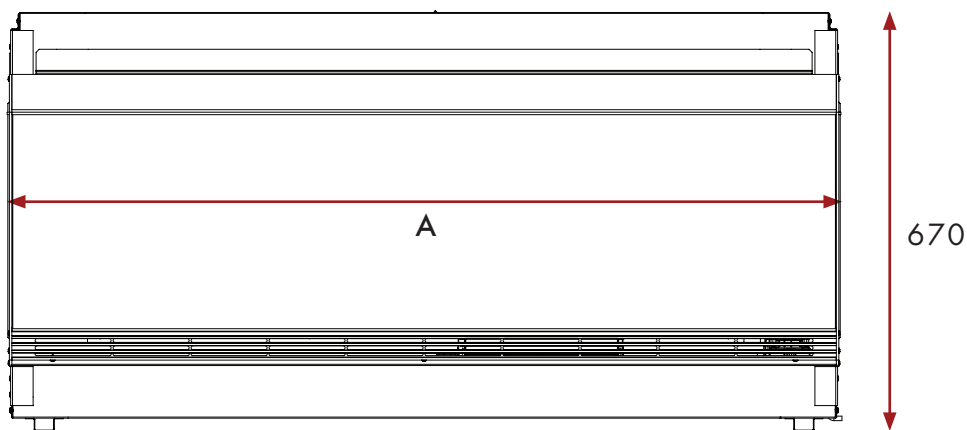


7 day programmable timer.

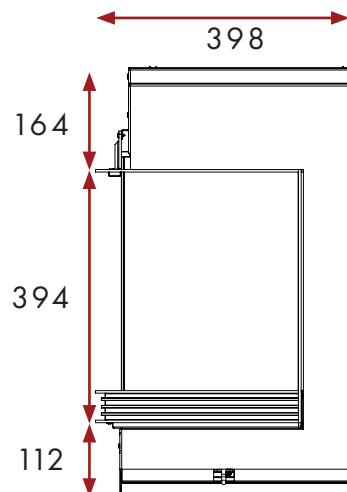
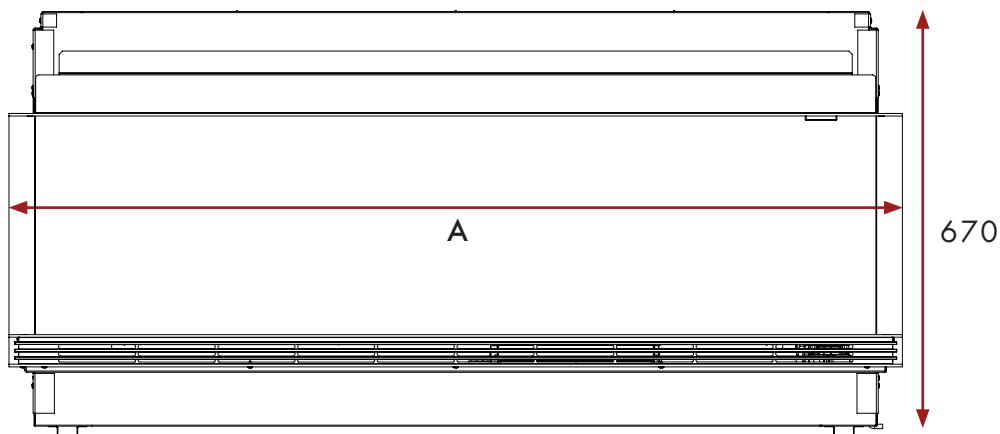
UNIT DIMENSIONS

	VST130 - I	VST130 - III	VST70 - I	VST70 - III
A	1325	1390	705	770

VST130 - I & VST70 - I

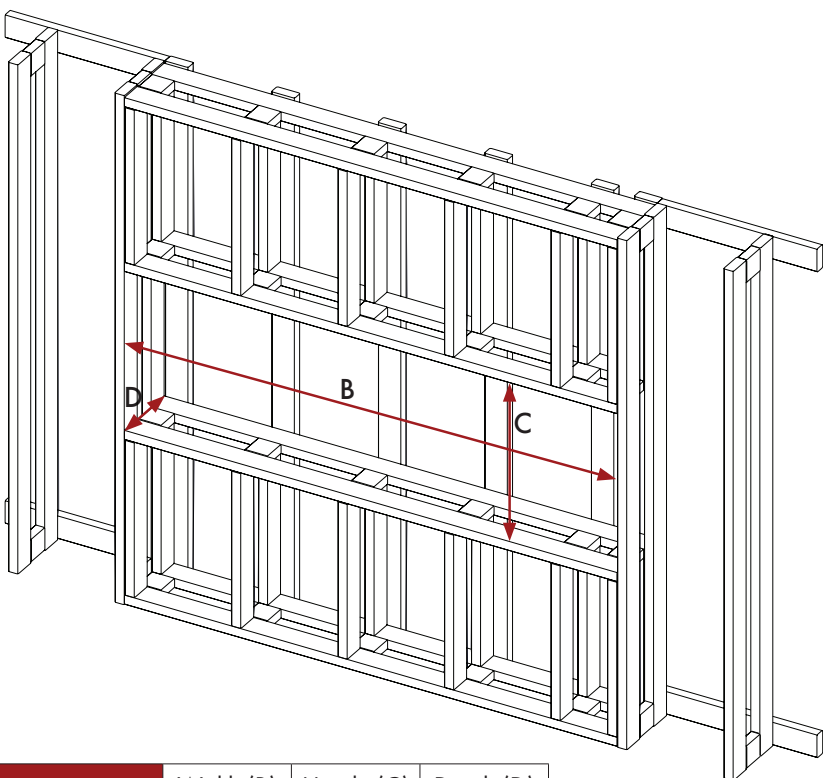


VST130 - III & VST70 - III



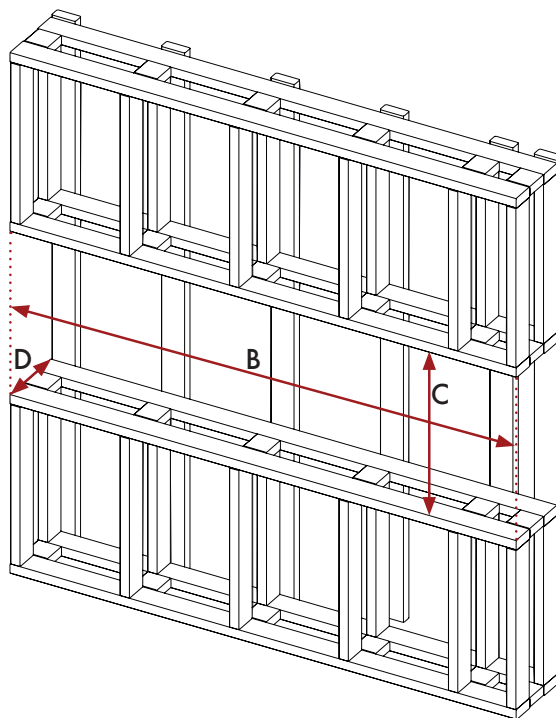
MINIMUM FRAMEOUT DIMENSIONS

VST130 - I & VST70 - I



	Width (B)	Height (C)	Depth (D)
VST130 - I	1335	685	400
VST70 - I	715		

VST130 - III & VST70 - III



	Width (B)	Height (C)	Depth (D)
VST130 - III	1335	685	400
VST70 - III	715		



OPTIMYST

500 | 1000

Imagine having perfect three-dimensional flames dancing in any room of your choice.

Our patented Optimyst® technology creates flames using cold water vapour and multicolour LED lights to create realistic and safe flames. With easy-to-fill water tanks providing 8-10 hours of continuous operation or permanent water connection, create a stunning fire display in any room.

Effortlessly pair and combine the cassettes to easily add an impressive fire statement to any room with no flue or fire hazard. This allows you to create the perfect see-through fireplace, cinewall or any other fireplace project of your dreams. A hassle-free way to enjoy a beautiful fire where the possibilities are simply endless.



Choose from 2 different size options, 500 or 1000.



The colours of the flame can be adjusted to the colours blue, violet, red, aquamarine or change the colours to a mix by using the Flame Connect app.



Flame Connect App available for your smartphone.



Standard with Media Tray and Log Kit

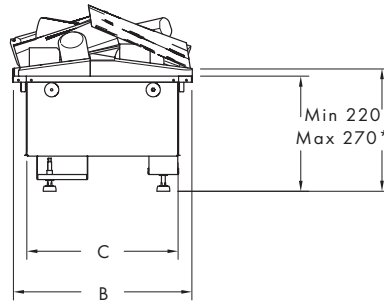
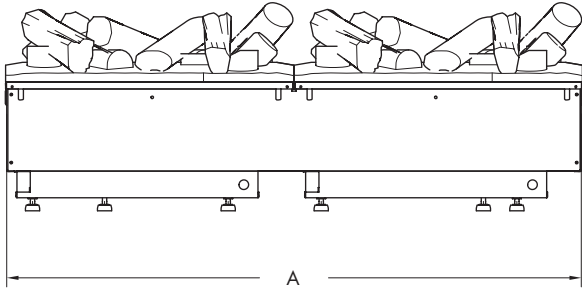


Energy efficient, low maintenance LED lights.



4 hour timer.

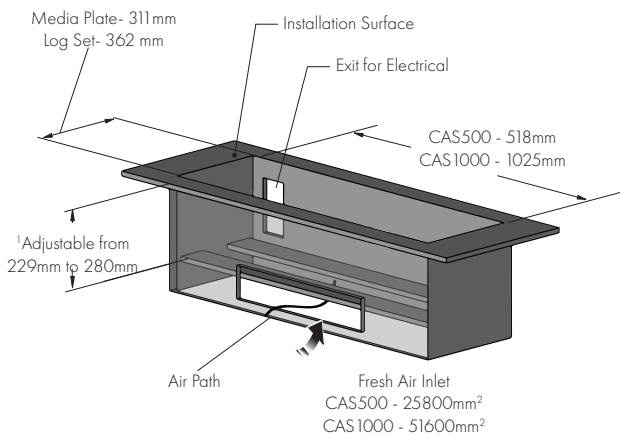
UNIT DIMENSIONS



	A	B	C
CAS 500	508	354	300
CAS 1000	1017	354	300

*with adjustable legs

MINIMUM FRAMEOUT DIMENSIONS



* 1 - 229mm if the legs are closed fully
280mm if the legs are open fully

RGB FLAME COLOURS



Real Flame



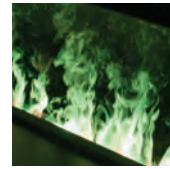
Blue



Violet



Red



Aquamarine

ACCESSORIES



CAS 500 Log Kit supplied as standard



CAS 1000 Log Kit (includes two log sets) supplied as standard



CAS 500 Media Tray supplied as standard



CAS 1000 Media Tray supplied as standard



REAL FLAME

Glen Dimplex Australia Pty Ltd
8 Lakeview Drive,
Scoresby, VIC 3179
T 1300 554 155
E flame.care@glendimplex.com.au



Glen Dimplex New Zealand Ltd
PO Box 58473,
Botany, Auckland
T 0800 666 2824
E info@realflame.co.nz



Real Flame is a registered trademark
of Glen Dimplex Australia Pty Ltd, all
rights reserved.

Please refer to the Real Flame manuals for latest specs and up to
date installation information.

RF_ELECTRIC 26

Authorised Real Flame Dealer



realflame.com.au | realflame.co.nz